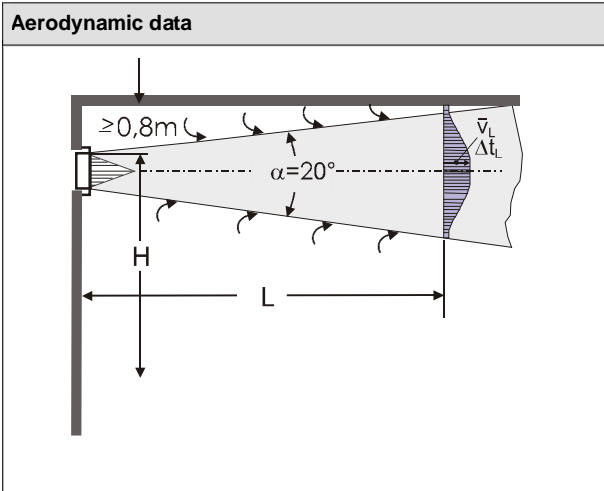




TRS-AG/525x75/0/0/0/RAL 9010

Rear assemblies	AG	Opposed blade action volume control damper
Size	525	Length [mm]
Size	75	Height [mm]
Installation Subframe	0	without subframe
Surface	0	Standard finish RAL 9010 (Pure white) Gloss level 50%
Total amount	1	



Volume flow V:	263 m³/h
Temperature difference Δt_z :	-4.0 K
Effective air velocity v_{eff} :	4.09 m/s
Temperature difference Δt_L :	-0.3 K
Induction i:	17
Max. air velocity v_L :	0.31 m/s
Air drop at L:	2.27 m
Effective Area A_{eff} :	0.02 m²

L = 8.00 m, H = 6.00 m
single grille arrangement

Acoustic Data - Supply air				
Damper settings	100%	50%	25%	
Δp_t	13	33	68	Pa
L_{WA}	22	36	46	dB(A)
L_{WNC}	17	31	41	

Acoustic Data - Extract air				
Damper settings	100%	50%	25%	
Δp_t	9	21	52	Pa
L_{WA}	25	31	36	dB(A)
L_{WNC}	21	27	32	

Specification Text

TROX grille type TRS for wall-installation consists of a front border with vertical, individually adjustable front blades. Border and blades are formed steel sheet, powder-coated.