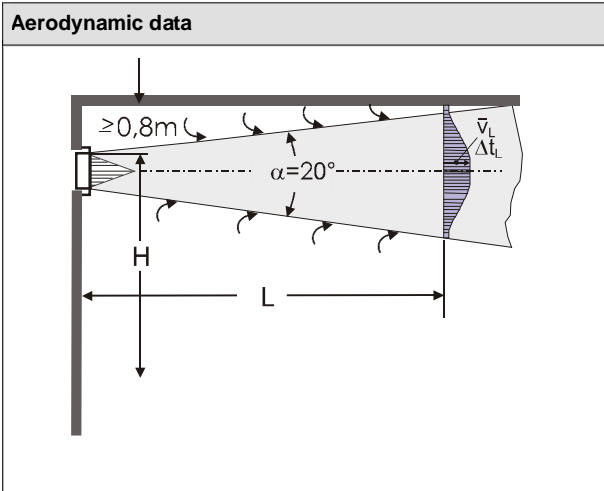




TRS-AG/625x75/0/0/0/RAL 9010

Rear assemblies	AG	Opposed blade action volume control damper
Size	625	Length [mm]
Size	75	Height [mm]
Installation Subframe	0	without subframe
Surface	0	Standard finish RAL 9010 (Pure white) Gloss level 50%
Total amount	1	



Volume flow V:	374 m ³ /h
Temperature difference Δt_z :	0.0 K
Effective air velocity v_{eff} :	4.85 m/s
Temperature difference Δt_L :	0.0 K
Induction i:	16
Max. air velocity v_L :	0.41 m/s
Air drop at L:	0.00 m
Effective Area A_{eff} :	0.02 m ²

L = 8.00 m, H = 6.00 m
single grille arrangement

Acoustic Data - Supply air				
Damper settings	100%	50%	25%	
Δp_t	18	44	93	Pa
L_{WA}	27	41	51	dB(A)
L_{WNC}	22	36	46	

Acoustic Data - Extract air				
Damper settings	100%	50%	25%	
Δp_t	13	29	72	Pa
L_{WA}	29	35	41	dB(A)
L_{WNC}	25	31	36	

Specification Text

TROX grille type TRS for wall-installation consists of a front border with vertical, individually adjustable front blades. Border and blades are formed steel sheet, powder-coated.