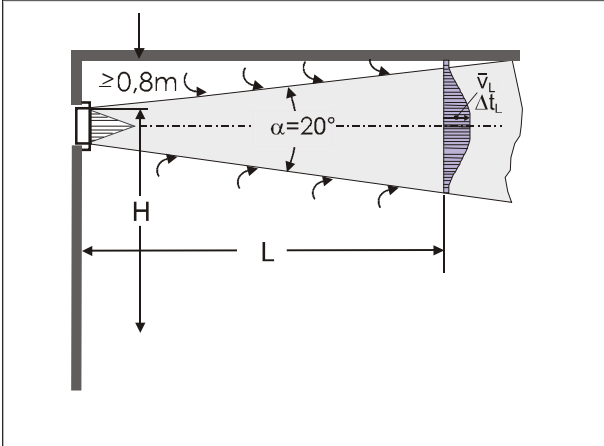




**TRS-AG/525x75/0/0/0/RAL 9010**

Rear assemblies	AG	Opposed blade action volume control damper
Size	525	Length [mm]
Size	75	Height [mm]
Installation Subframe	0	without subframe
Surface	0	Standard finish RAL 9010 (Pure white) Gloss level 50%
Total amount	1	

**Aerodynamic data**



Volume flow V:	286 m³/h
Temperature difference $\Delta t_z$ :	0.0 K
Effective air velocity $v_{eff}$ :	4.45 m/s
Temperature difference $\Delta t_L$ :	0.0 K
Induction i:	17
Max. air velocity $v_L$ :	0.34 m/s
Air drop at L:	0.00 m
Effective Area $A_{eff}$ :	0.02 m²

L = 8.00 m, H = 6.00 m  
single grille arrangement

Acoustic Data - Supply air				
Damper settings	100%	50%	25%	
$\Delta p_t$	15	38	79	Pa
$L_{WA}$	24	38	48	dB(A)
$L_{WNC}$	19	33	43	

Acoustic Data - Extract air				
Damper settings	100%	50%	25%	
$\Delta p_t$	11	24	61	Pa
$L_{WA}$	27	33	38	dB(A)
$L_{WNC}$	23	29	34	

**Specification Text**

TROX grille type TRS for wall-installation consists of a front border with vertical, individually adjustable front blades. Border and blades are formed steel sheet, powder-coated.